



TOTAL WEIGHING SOLUTION™

KK-BL series | Bench Scale

Crane series

...Clearly a Better Value



Warranty - Two Years



Designed for dependability and durability at a practical price!



**A Multifunction Scale
that doesn't just weigh!**

Micro Weighing Scale

- High Accuracy
- Total 8 Units available (g, ct, lb, oz, GN, ozt, dwt, tl)
- Counting, Weighing, Percentage Function Modes
- Auto Blue Backlight (80hrs continuous use)
- RS-232 Serial Interface (PC, Printer)
- Wind Shield Included



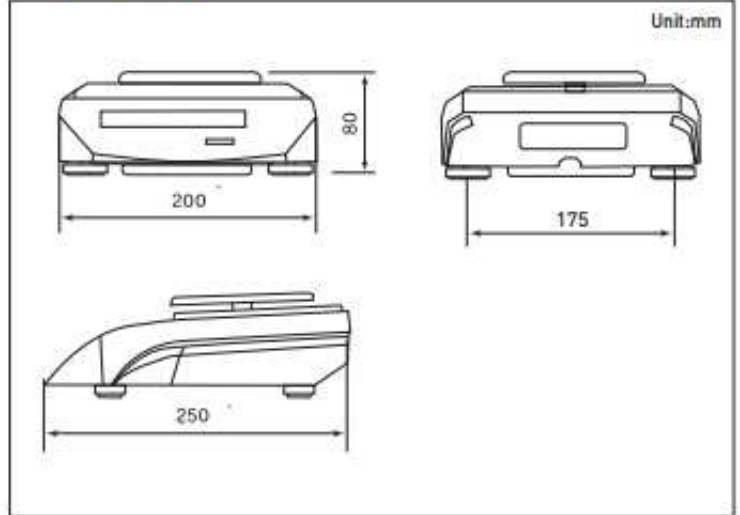
STAINLESS STEEL WASHDOWN SCALES



SPECIFICATIONS

Model									
Max. Capacity (g)	150	300	600	1500	3000	300	600	1200	3000
Readability (g)	0.005	0.01	0.02	0.05	0.1	0.005	0.01	0.02	0.05
External Resolution	1/30,000 - 1/60,000								
Display Digit	6 Digits (Weight)								
Display Type	LCD with Backlight								
Operating Temp.	0°C-40°C								
Power	AC Adapter 12V, DC/500mA, Internal rechargeable lead acid batter								
Platter Size	ø116 mm			144mm(W) x 124mm(D)					
Dimensions	200mm(W) x 250mm(D) x 80mm(H)								
Product Weight	1.3 kg				1.4 kg				

DIMENSIONS



FEATURES

- High Accuracy
- Total 8 Units Available
(g, ct, lb, oz, GN, ozt, dwt, tl)
- Counting, Weighing, Percentage Function Modes
- Auto Blue Backlight (80hrs Continuous Use)
- Built-in Rechargeable Battery
- RS-232 Serial Interface (PC, Printer)
- Wind Shield Included
- Overload Alarm Function
- Auto Power Off Function
- Auto Span Calibration & Auto Zero Tracking

OPTIONS

- USB Interface
- Auxiliary LCD Display



...Clearly a Better Value

Panasonic Kenko Electric Co, Ltd
36 Sisenju, Okio, Osaka 234-23354 Japan

Tel. 81-32-565434667

Specifications subject to change without notice

